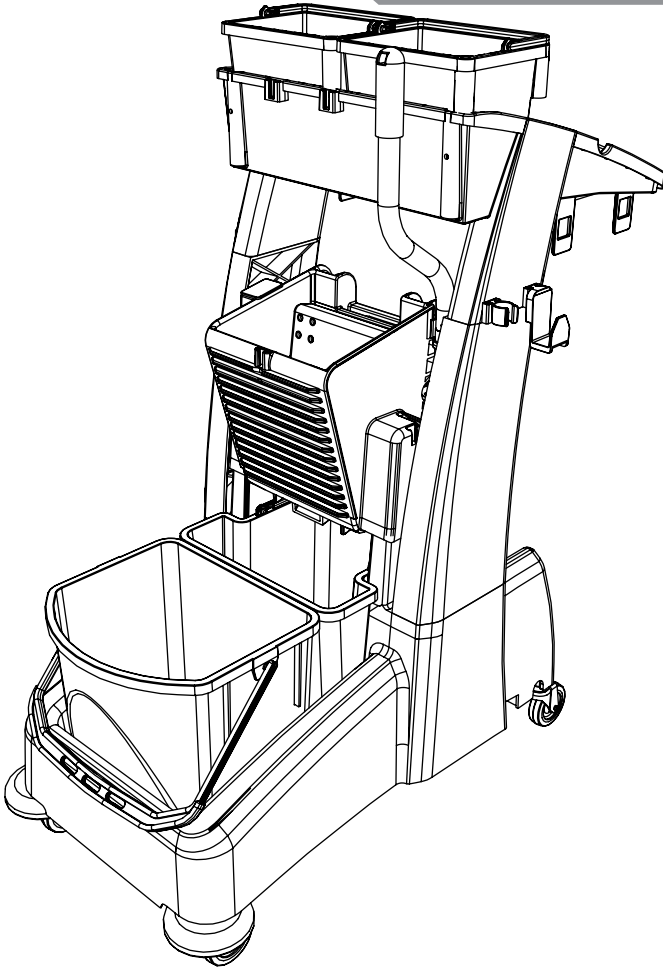


MM-3

Numatic

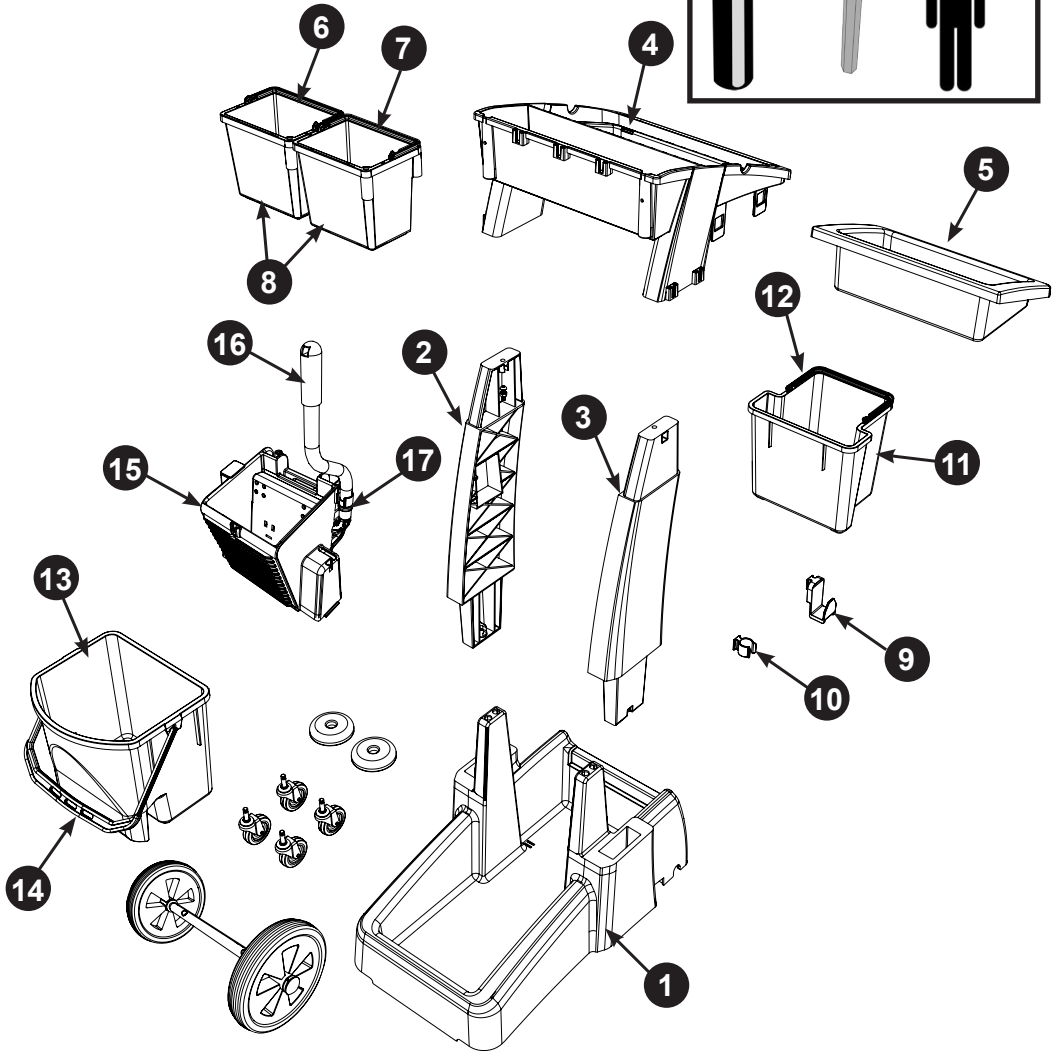
numatic.com



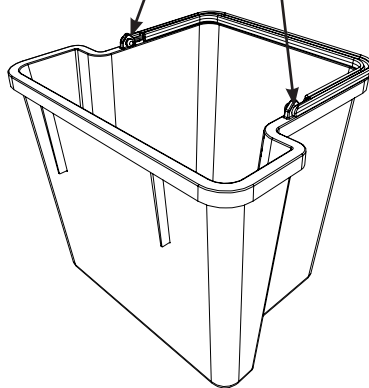
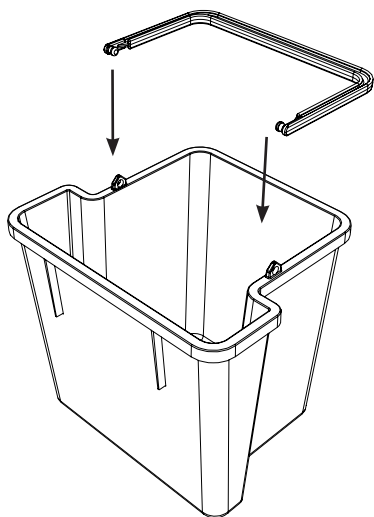
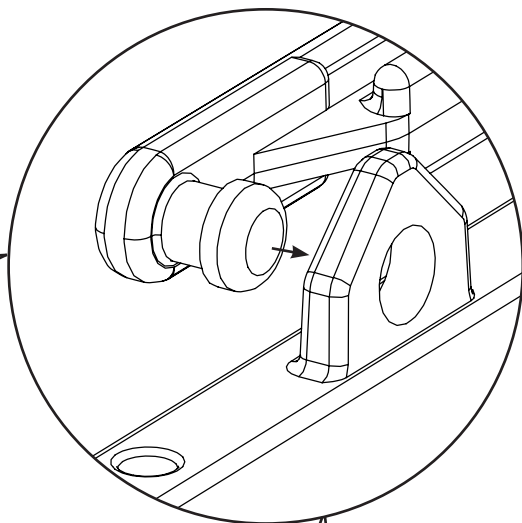
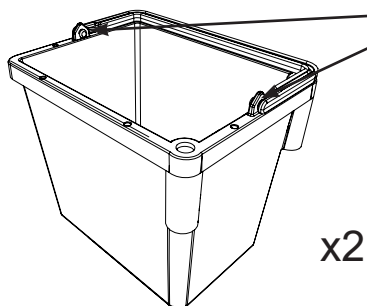
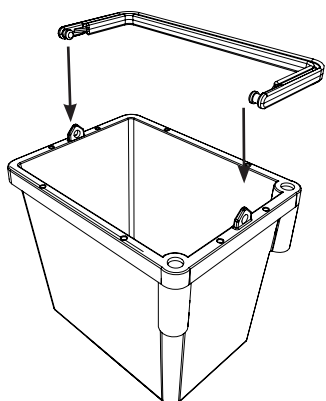
Original Instructions

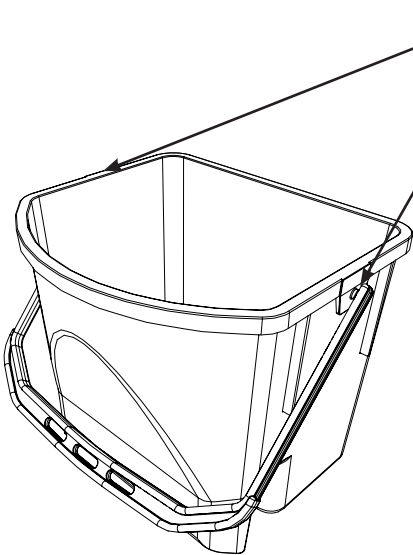
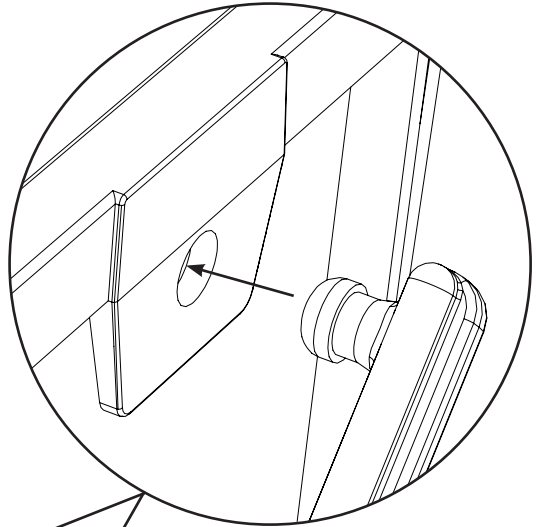
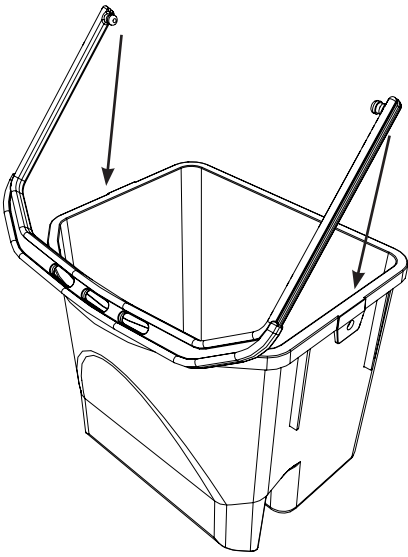
0.15 HR

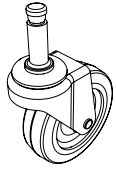
This icon block indicates the estimated assembly time is 0.15 hours. It includes a screwdriver, a curved tool, a clock face, and a silhouette of a person.



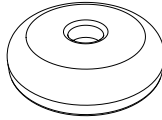
Item	Description	Quantity
1	Reflo Base	1
2	Left Hand Upright	1
3	Right Hand Upright	1
4	Handle Frame	1
5	Top Tray	1
6	Red Handle	1
7	Blue Handle	1
8	5 Litre Bucket	2
9	Versaclean Hook T Slot	1
10	22mm Mid Mop Clamp	1
11	Dirty Water Bucket	1
12	- Red Handle	1
13	Clean Water Bucket	1
14	- Blue Handle	1
15	Mid Mop Press	1
16	Mop Press Handle	1
17	C Clip	1
Optional Extra:	Axle and Wheel Assembly	1



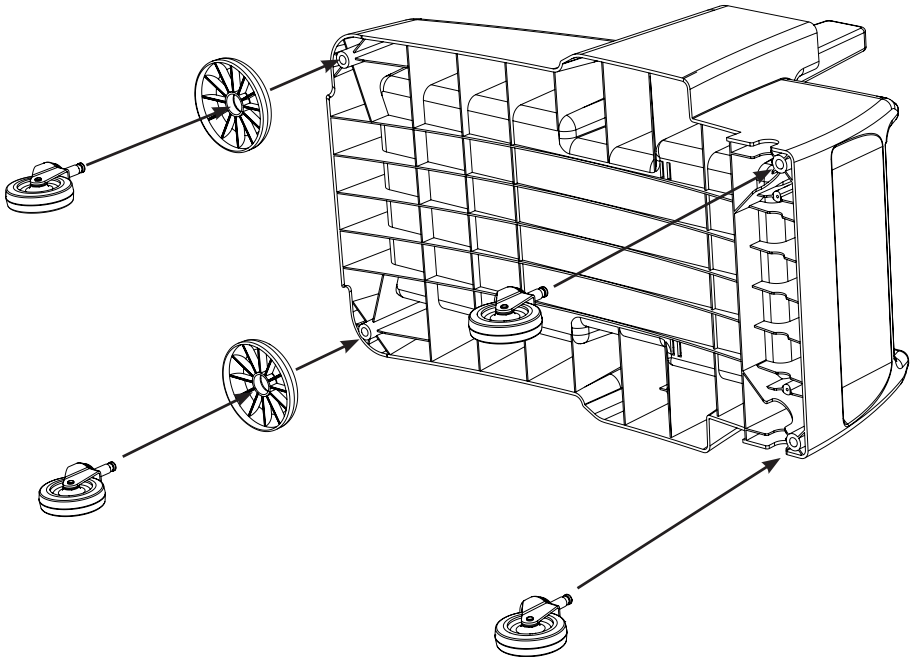




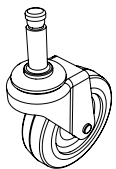
x4



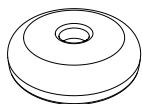
x2



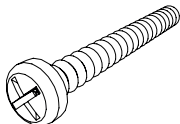
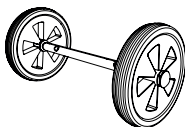
NO6 X 1 3/8 Inch Long Pozi
Pan Screw



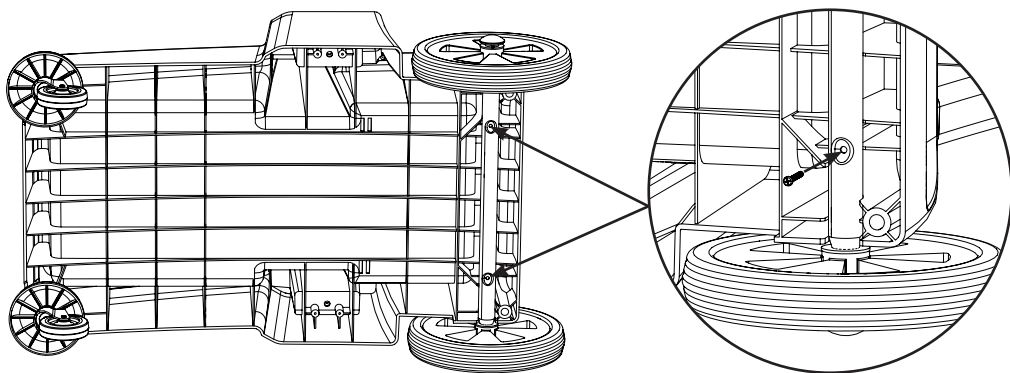
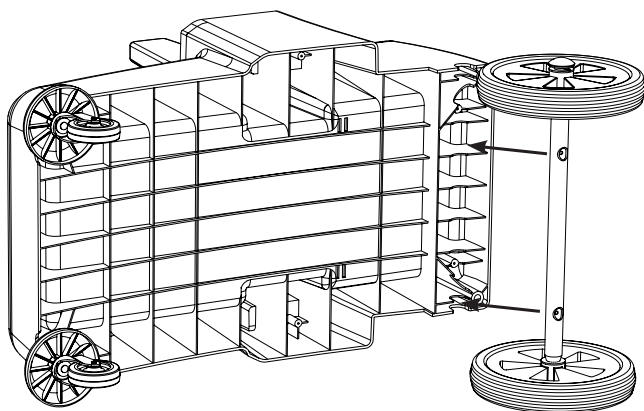
x2



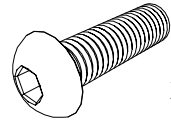
x2



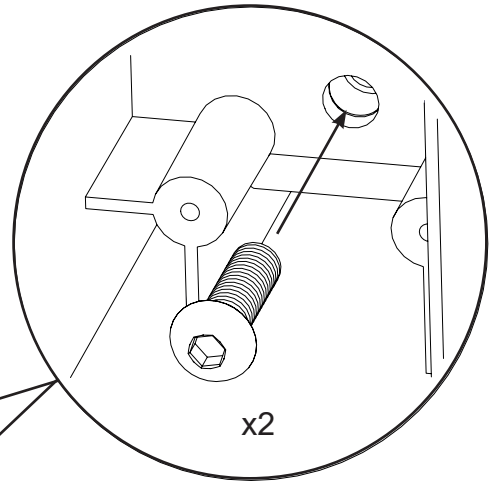
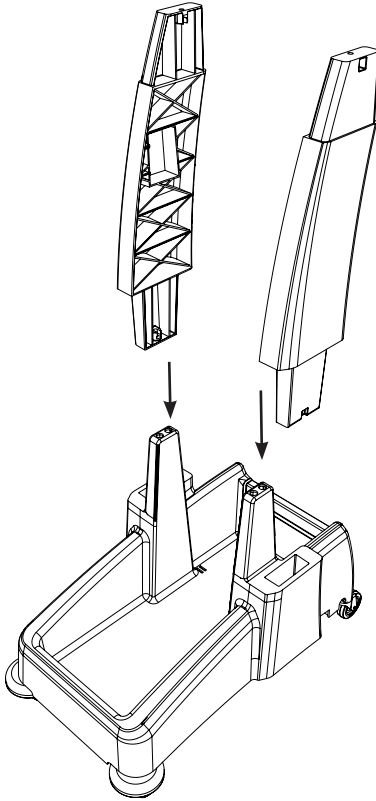
x2



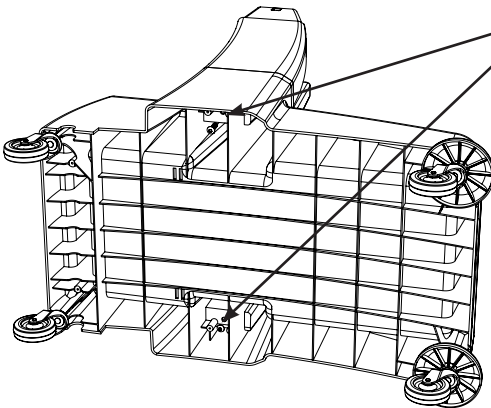
M8 25mm Socket Bolt

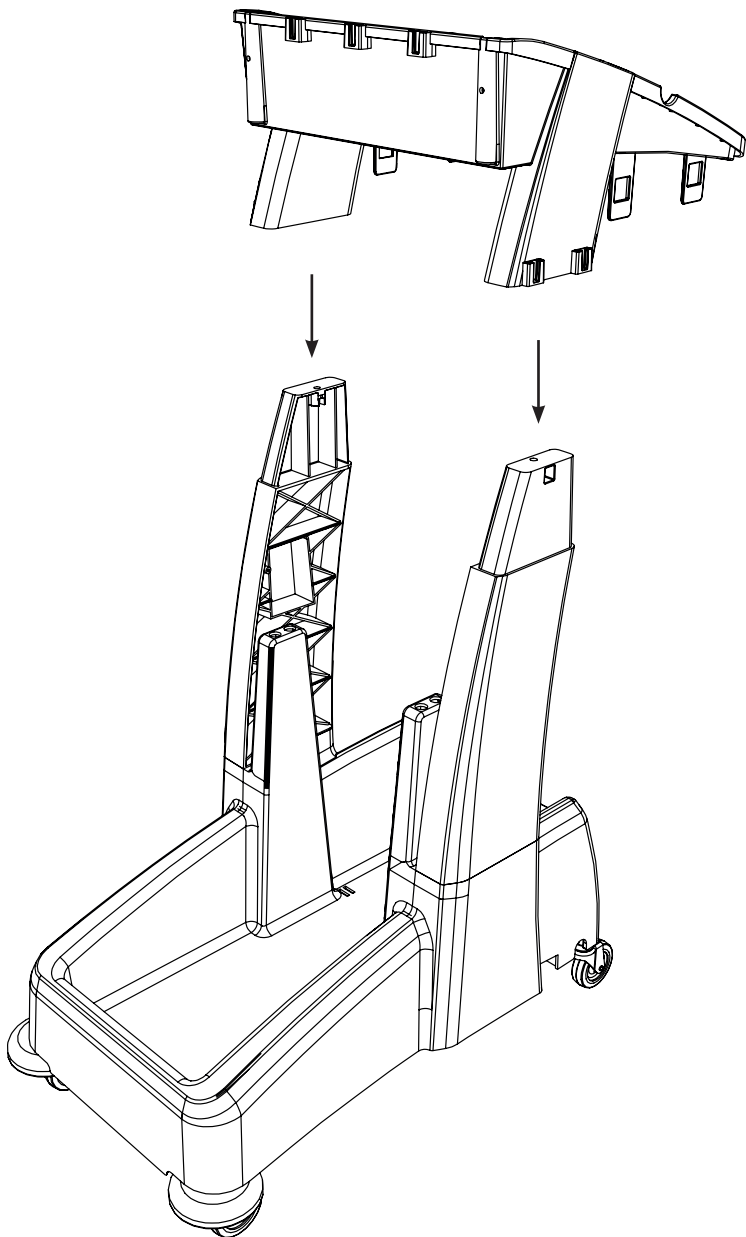


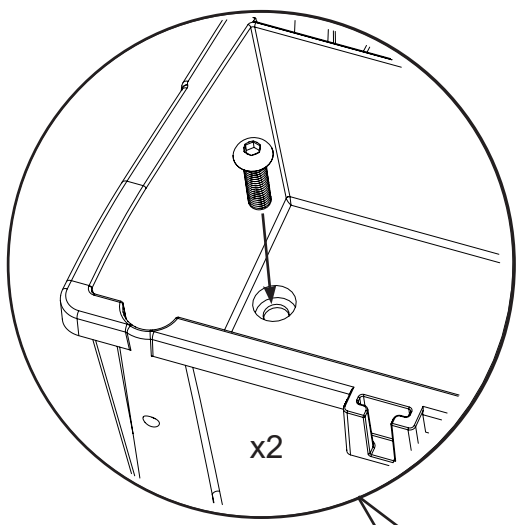
x2



x2







M8 X 25mm Socket Bolt

